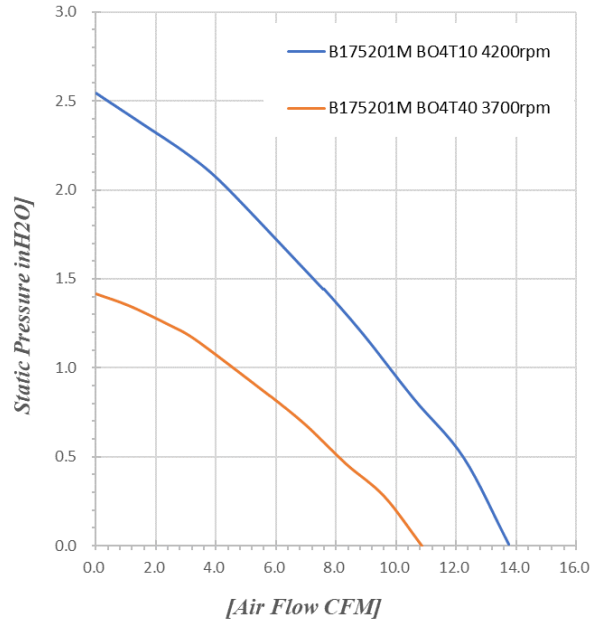
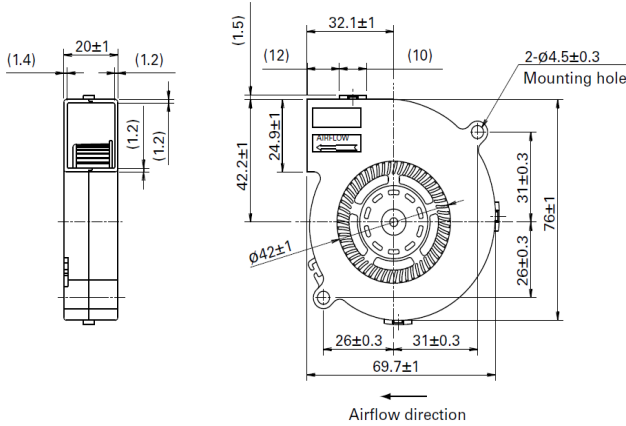


iCar Fan Blower 76*75*20 MM

High Operating Temp. AECQ Series

Reference Spec. MP: 2023/June



Product Type	Model No.		Control Type	Bearing Type	Rated Voltage	Operating Voltage Range	Operating Temp.	Speed	Input Current	Input Power	Maximum Air Flow		Maximum Air Pressure		Noise
					VDC	VDC	℃	R.P.M	Amp	Watt	CFM	m ³ /min	inH ₂ O	mmH ₂ O	dB(A)
Blower 7520 12V 95℃ AECQ 系列	B175201M	BO4T10	+/-FG/PWM	BALL	12	8~16	-40~95	4800	0.902	10.83	13.7	0.39	2.64	64.6	47.9
	B175201M	BO4T40	+/-FG/PWM	BALL	12	8~16	-40~95	3700	0.382	4.59	10.9	0.31	1.47	36.0	45.0
Blower 7520 12V 1055℃ AECQ 系列	B175201M	BO4U10	+/-FG/PWM	BALL	12	8~16	-40~105	4800	0.902	10.83	13.7	0.39	2.64	64.6	47.9
	B175201M	BO4U40	+/-FG/PWM	BALL	12	8~16	-40~105	3700	0.382	4.59	10.9	0.31	1.47	36.0	45.0